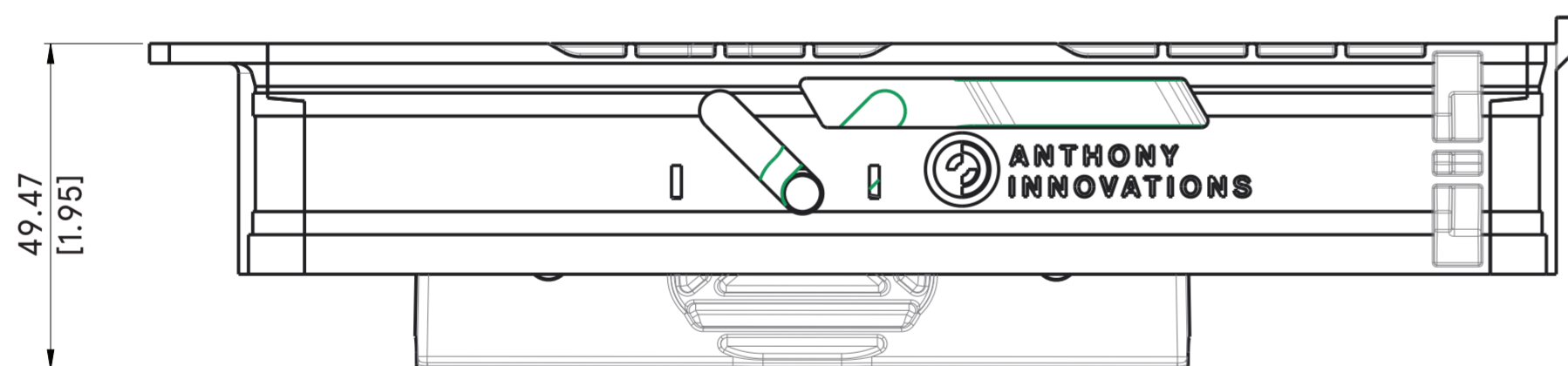
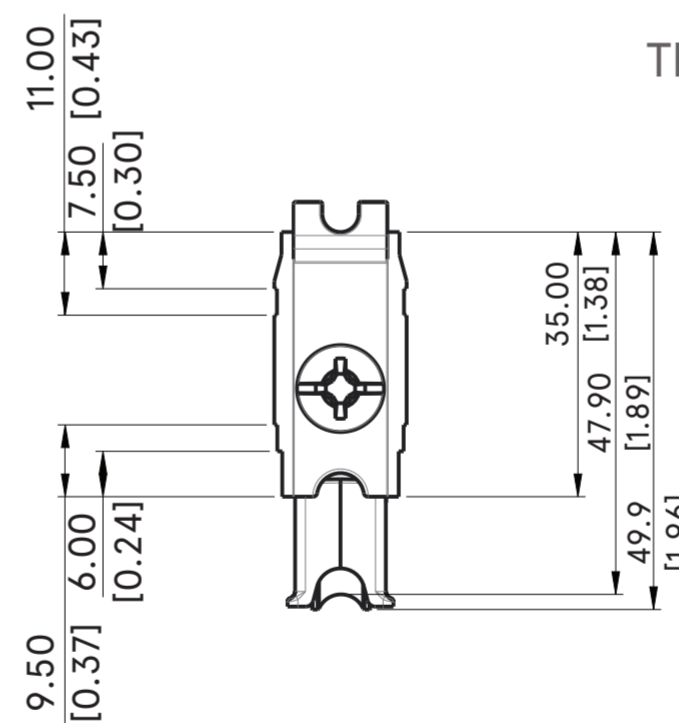
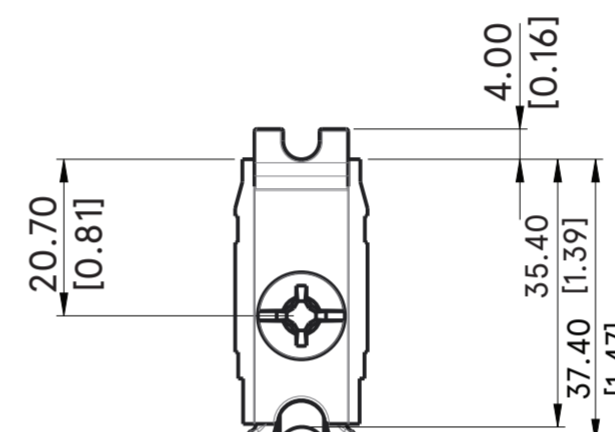
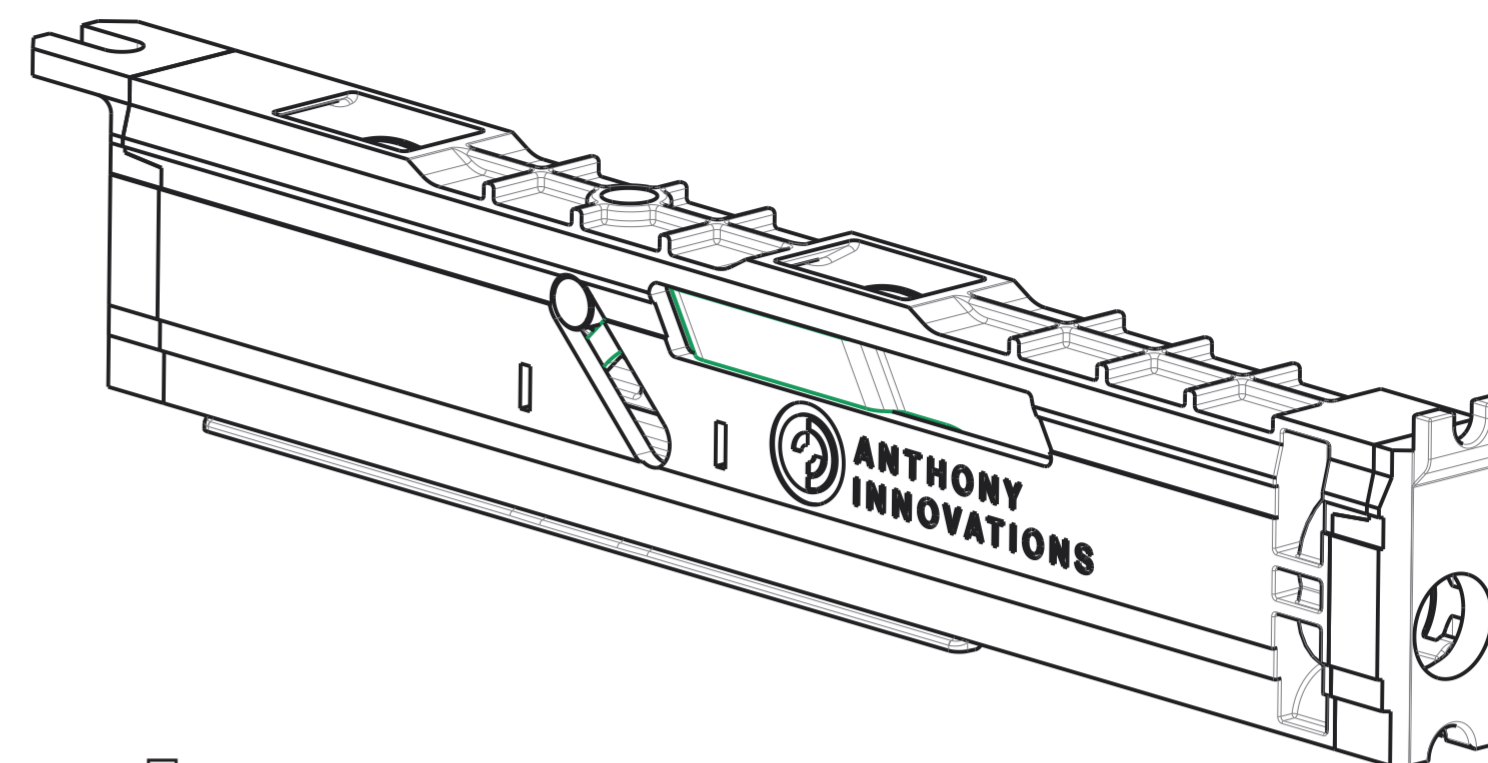
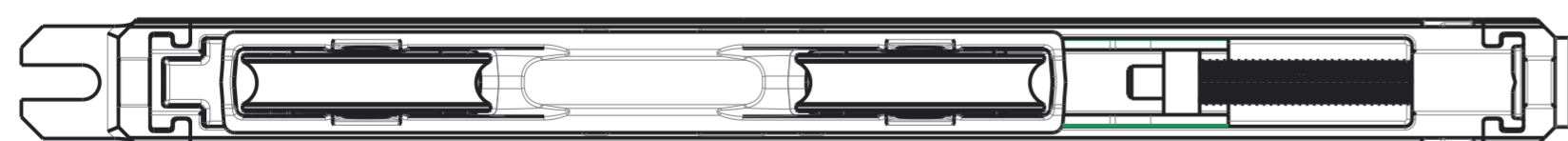


FULLY RETRACTED AS SUPPLIED



FULLY ADJUSTED



## TraXtar™ Duo

For more information and dimensions please contact:  
 AUS & NZ - [sales@anthonygroup.net](mailto:sales@anthonygroup.net)  
 North America - [salesna@anthonygroup.net](mailto:salesna@anthonygroup.net)

The design of this product is property of Anthony Innovations.  
 Measurements displayed in centimetres and inches.

