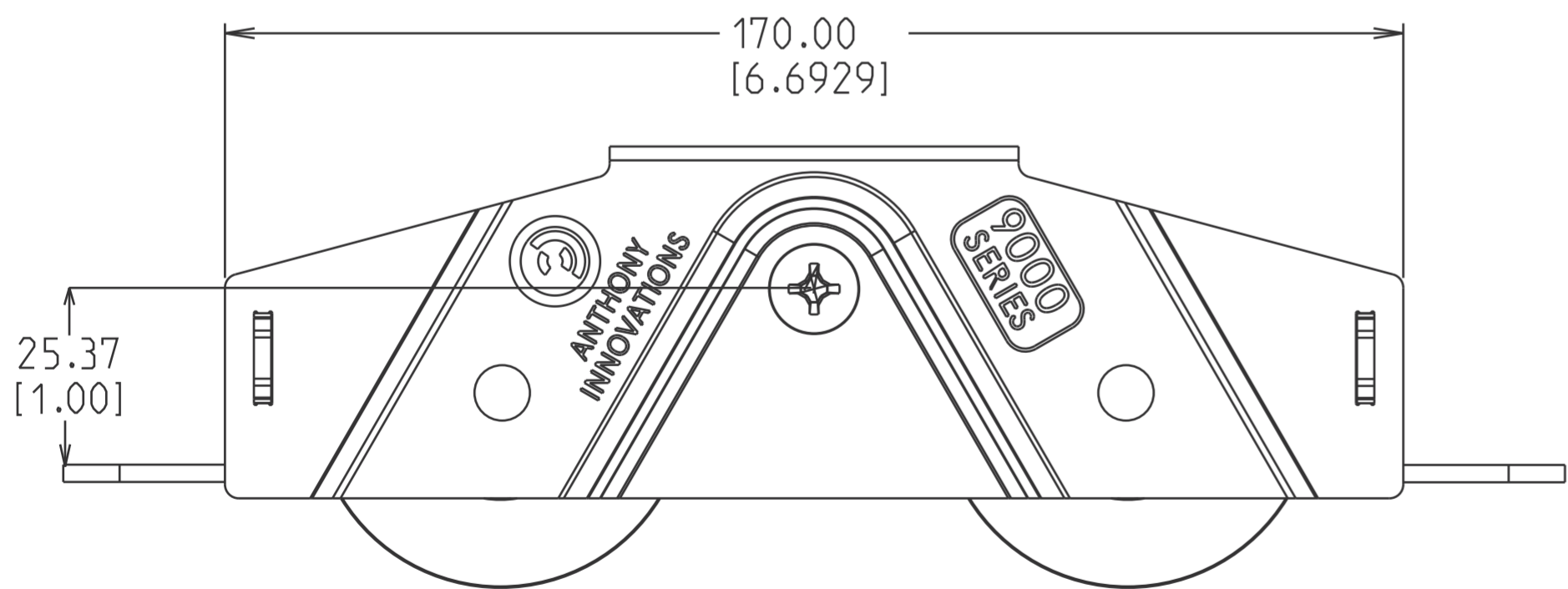
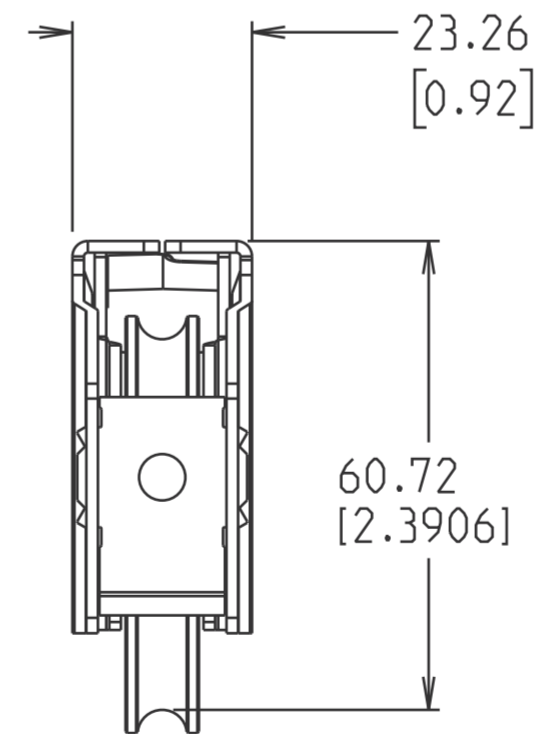
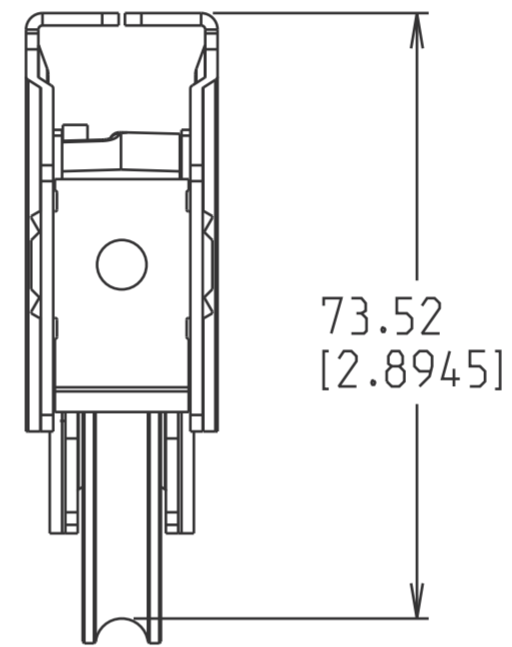
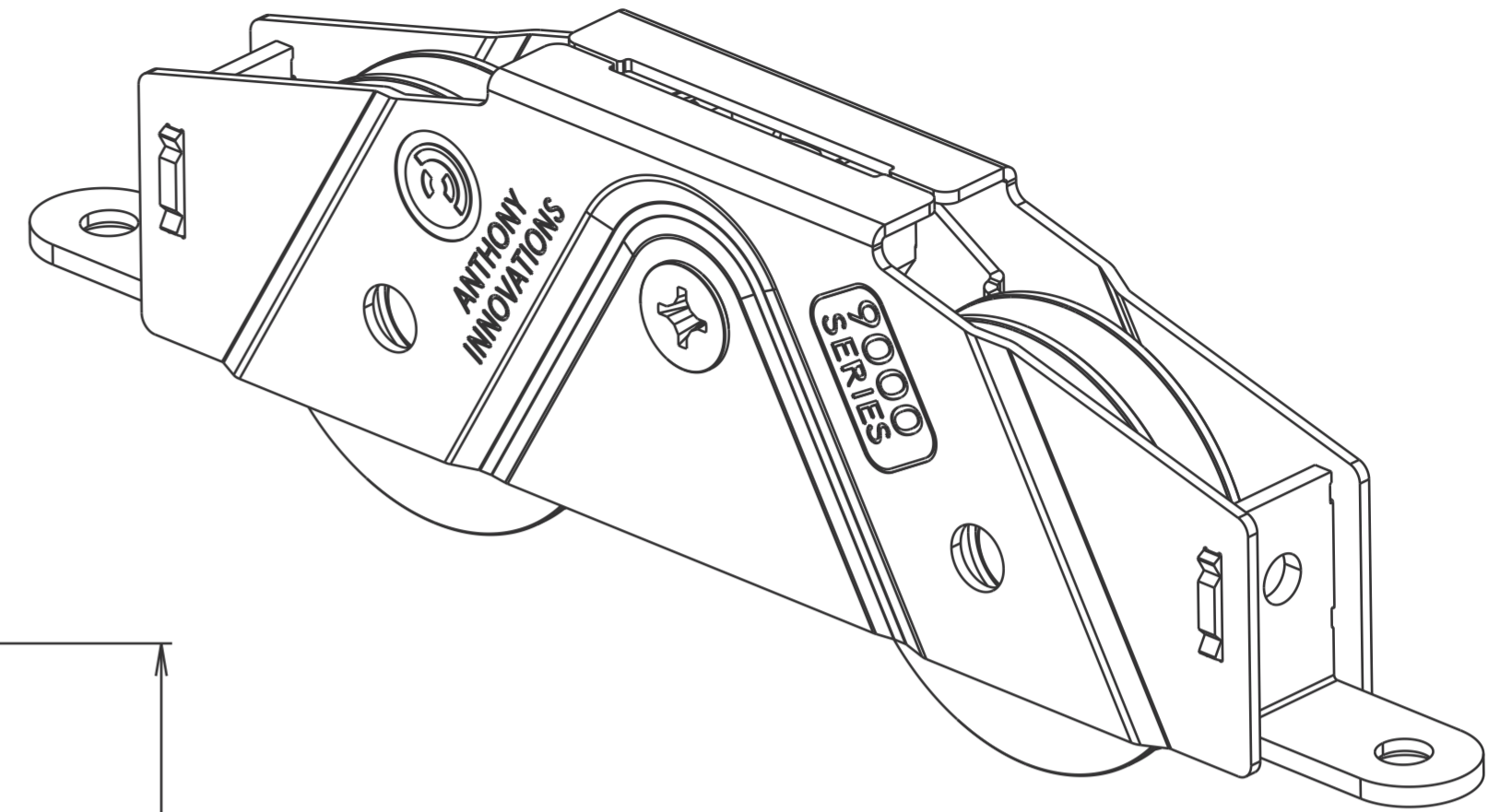


FULLY EXTENDED



FULLY RETRACTED AS SUPPLIED



## 9000 Series

For more information and dimensions please contact:  
 AUS & NZ - sales@anthonygroup.net  
 North America - salesna@anthonygroup.net

The design of this product is property of Anthony Innovations.  
 Measurements displayed in centimetres and inches.

