

KWIKfit™ Switch

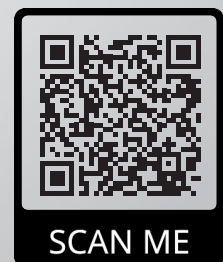
Realign without reinstalling



Features and product specifications:

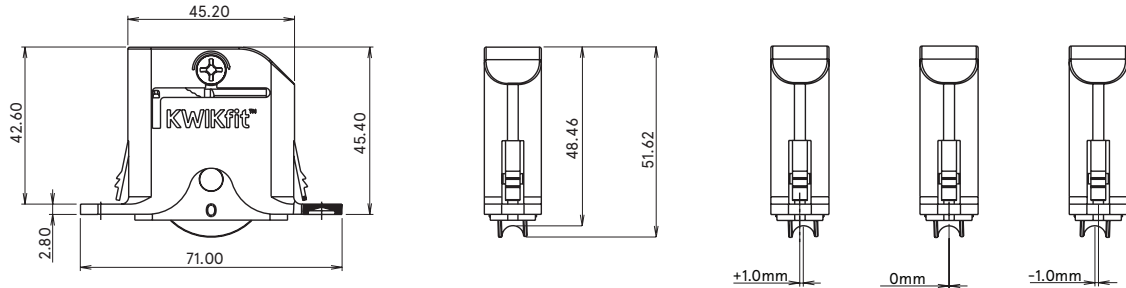
- Up to 40kg load capacity per roller
- Side adjustable: Range 8.2mm
- Engineered polymer acetal wheel diameter: 32mm
- Three wheel positions to allow for variability (-1mm, +1mm and 0mm)
- Easily detachable inner housing allowing you to rotate to the desired offset quickly and efficiently without removing the outer housing from the door
- 440c grade rubber sealed precision bearings on stainless steel variant
- Glass reinforced nylon carriage for superior strength
- Tested to 50,000 cycles
- Available in KWIKfit™ Soft Closer pack

Item Code:	Description:
KFOS3200NA	Standard roller with chrome steel precision bearing - 40kg max capacity
KFOS3200SNA	Coastal roller with stainless precision bearing - 40kg max capacity



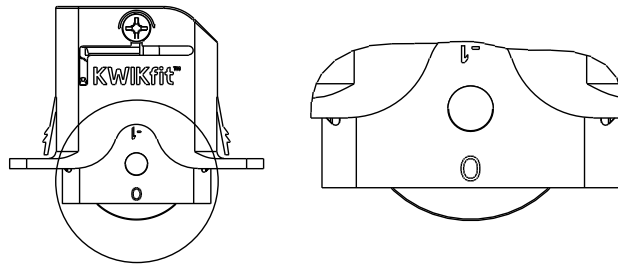
Technical Specifications

Drawings:

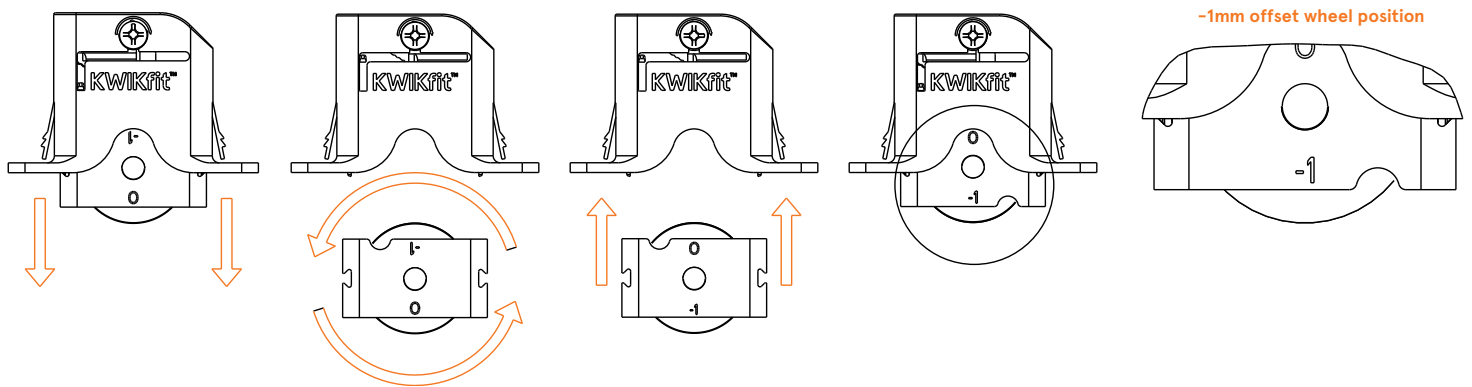


Installation:

Supplied in zero offset wheel position



To achieve a -1mm offset follow below:



To achieve a +1mm offset follow below:

