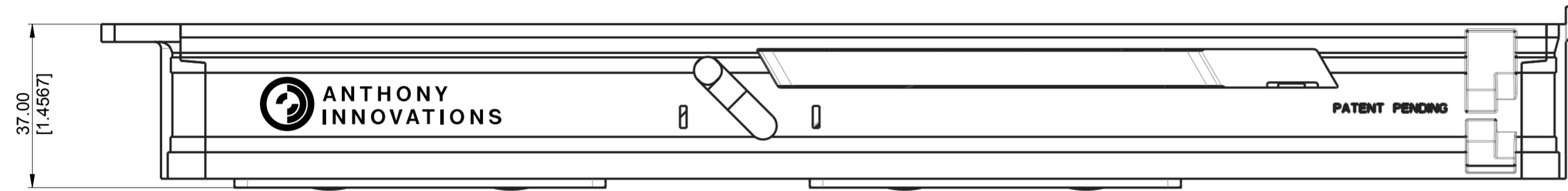
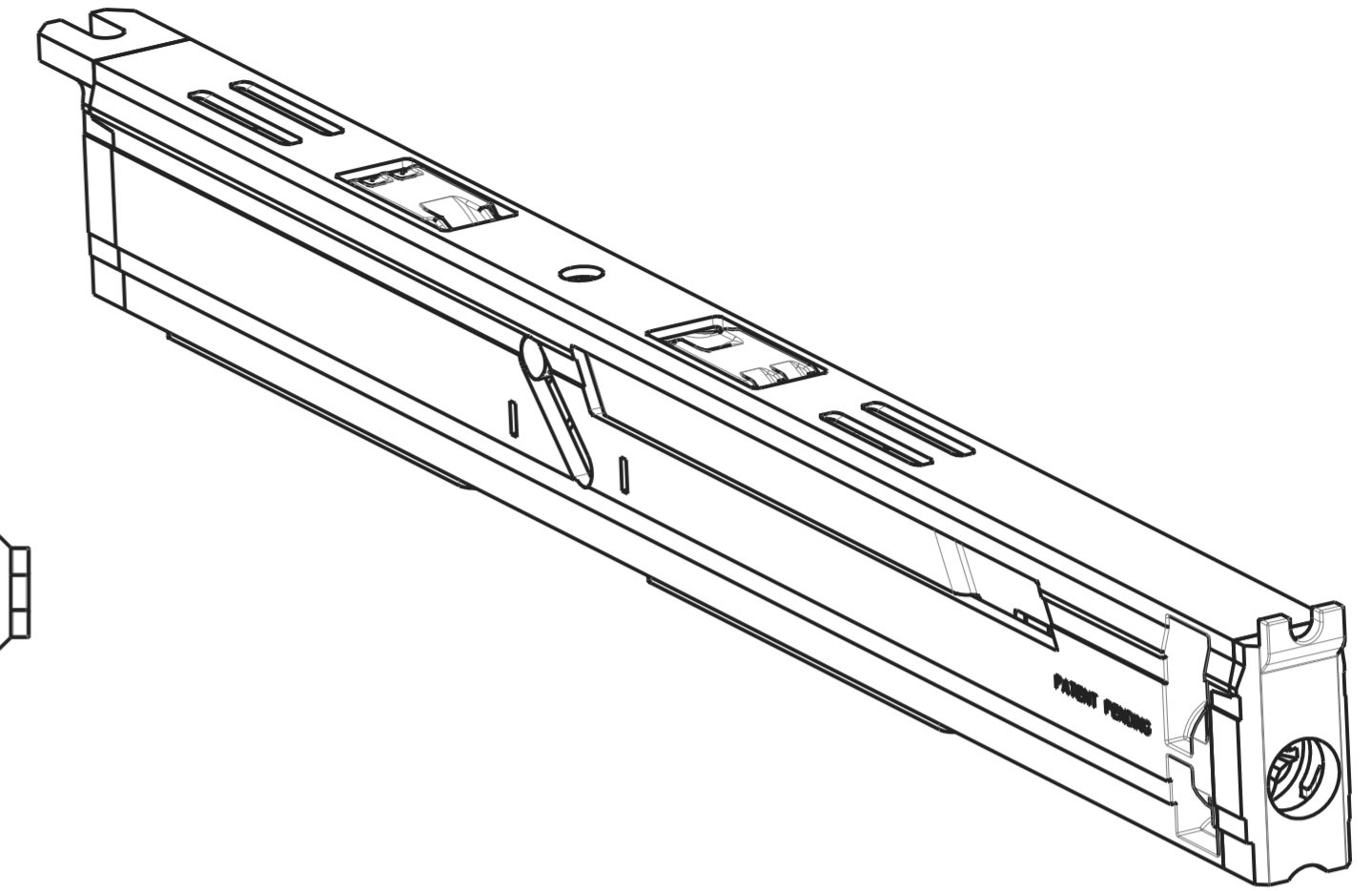
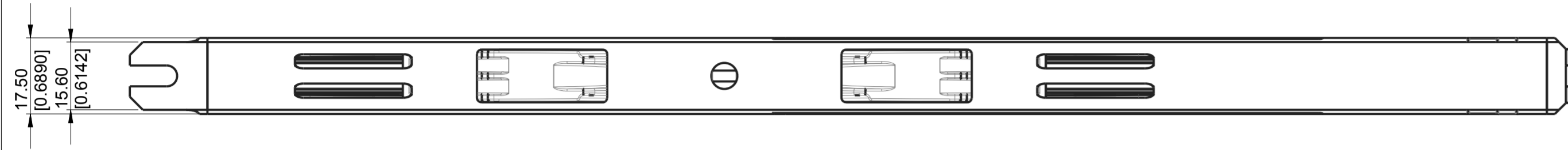
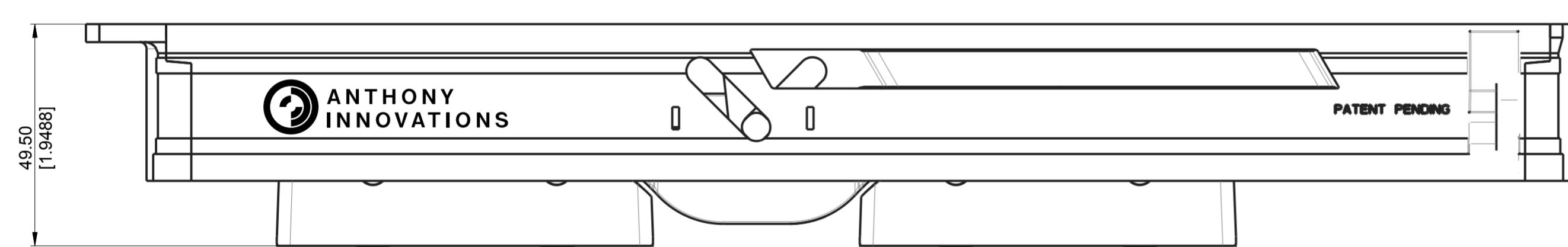
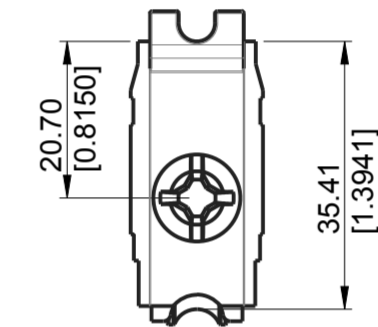


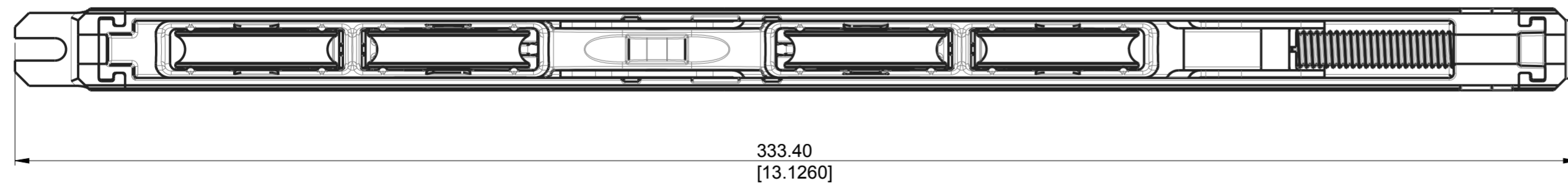
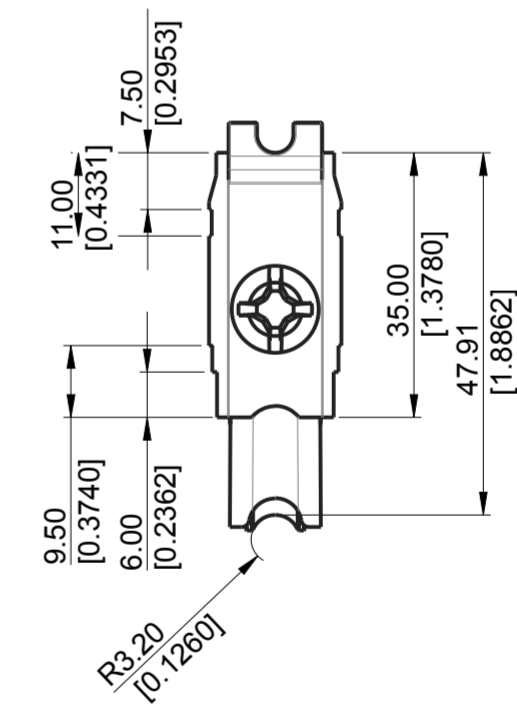
TraXtar™



FULLY RETRACTED



FULLY ADJUSTED



THIS DOCUMENT IS THE PROPERTY OF ANTHONY INNOVATIONS PTY. LTD.
IT IS STRICTLY CONFIDENTIAL AND SUBJECT TO RETURN UPON REQUEST.
IT MUST NOT BE TRACED, COPIED OR EXHIBITED WITHOUT WRITTEN PERMISSION.

DRAWN TO AS1100					DO NOT SCALE		UNSPECIFIED TOLERANCES ± 0.25	
DATE	ECR No.	DRN	CKD	AUTH	REVISION		ZONE	REVISION
					TraXtar™		DRAWING No.	1091584
							ASSEM No.	SN3600QSPA
							DRAWING NAME	1091584 REV. 1.12
							3D MODEL NAME	1091584 REV. 1.12
							DOC No. 18F	COPYRIGHT 2017 - ANTHONY INNOVATIONS

3RD ANGLE PROJECTION



Dimensions displayed as: "millimetres [inches]"

TraXtar™ is a registered trademark of Anthony Innovations Pty Ltd.

FINISH	<FINISH>			COLOR
MATL	REFER TABLE			
WEIGHT	333.4 g	MODIFIED BY	Adrian Jarvis	13-Jun-18 08:51:51 AM
SCALE	1:2	CREATED BY	Adrian Jarvis	09-Oct-17 04:44:39 PM
SHEET	1 OF 2	RELEASED BY	<RELEASE_APPROVED_BY>	<RELEASED_ON>

A2